

WORKING TOGETHER FOR THE GLASS INDUSTRY

SYNC

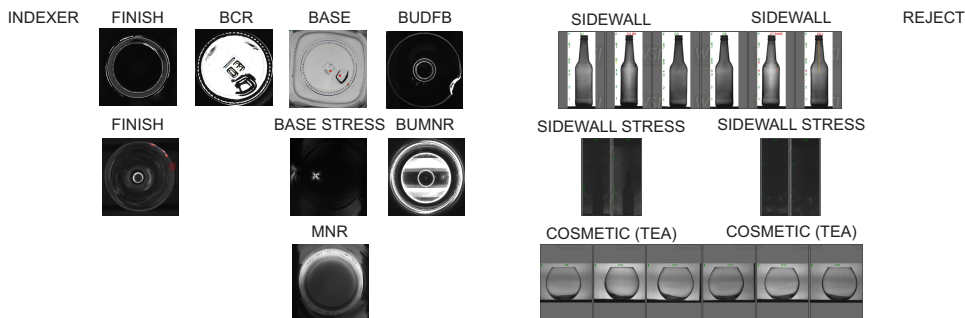
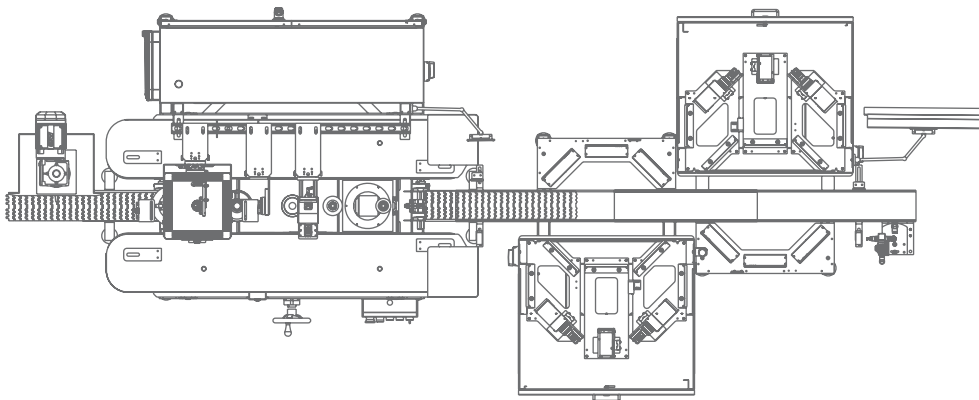
BASE FINISH MNR
SIDE - WALL

The new Gen-In SYNC range is designed for you.

fully featured with latest capabilities
easy to use and setup
smartsense enabled
compact and simple to install
connected

Modular Inspections

multi illumination finish
base
base stress
mold number reader
bottom code reader
bottom up dark field base
full front surface sidewall
sidewall stress
sidewall dimensional
sidewall cosmetic



gen*in*
www.gen-in.com

+1 727 216 9670
sales@gen-in.com

Simple Cost Effective Solutions for Your Inspection Needs